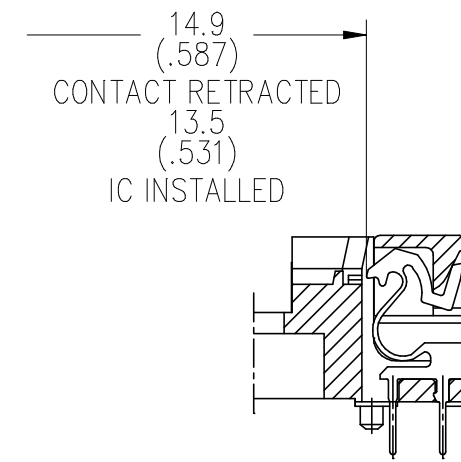
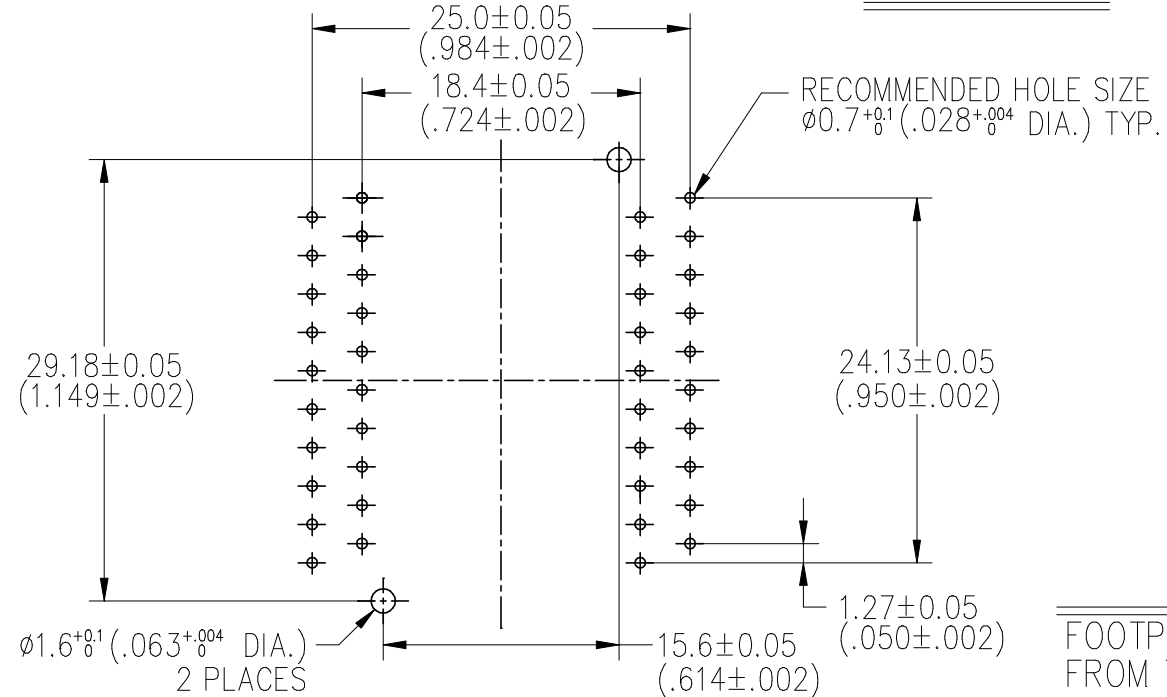
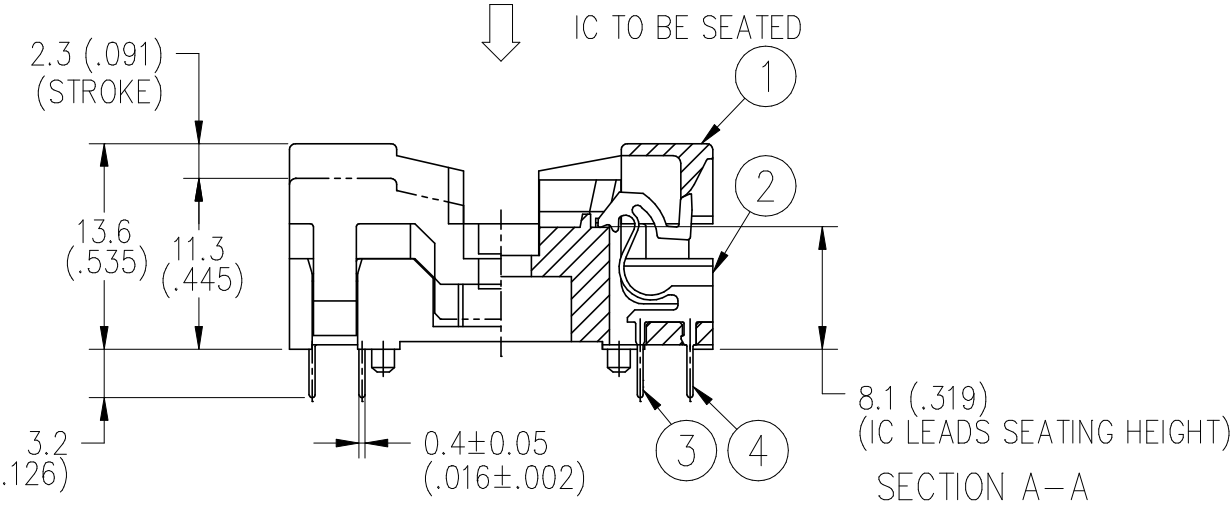
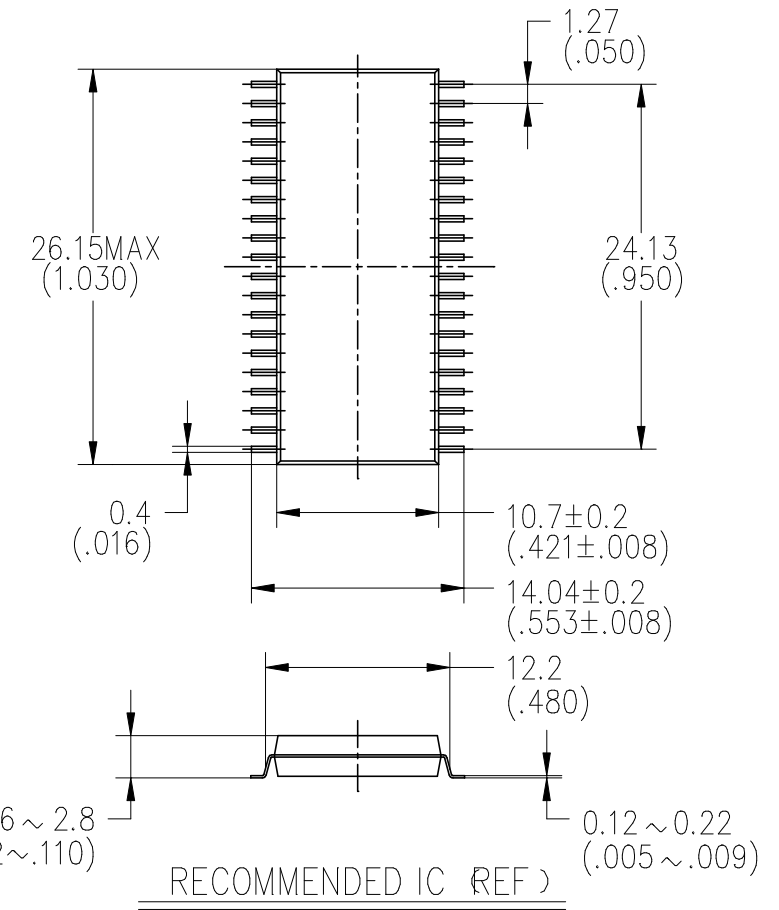
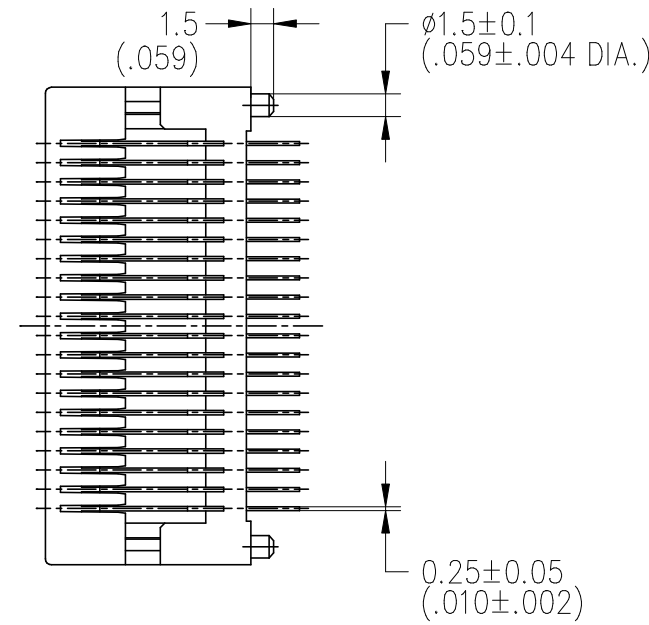
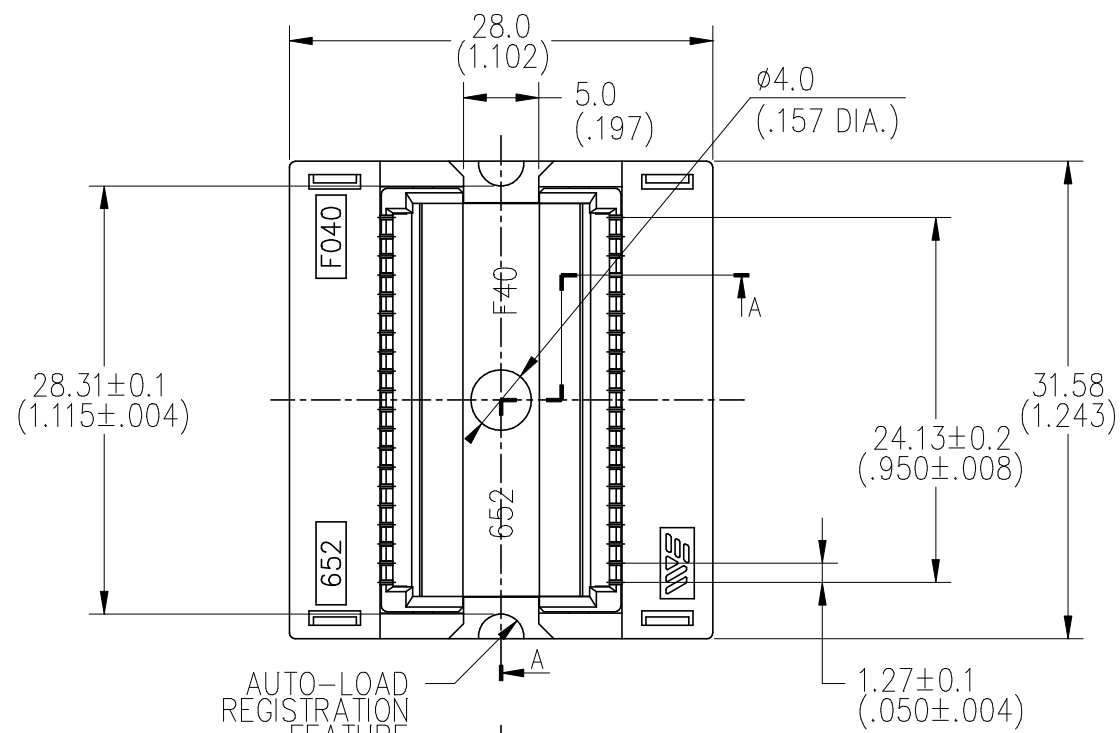


DATE	ECO NO	DESCRIPTION	BY
Feb 19 1993	CDN 93008		A.K
	DCN 93025	Revise	A.K



Performance.

1. Insulation Resistance : 1000 MΩ min. at 500V.D.C
2. Dielectric Withstanding Voltage : 600 V.A.C (RMS)
3. Contact Resistance : 30 mΩ max. at 20 mV max.
4. Temperature Range : -40°C ~ +150°C

④	CONTACT- (2)	Be Cu	20	PLATING : Au
③	CONTACT- (1)	Be Cu	20	PLATING : Au
②	BASE-40P	PEI	1	COLOR : BLACK
①	COVER-40P	PEI	1	COLOR : BLACK
P.NO	PART DESCRIPTION	MATERIAL	QTY	NOTE
GENERAL TOLERANCES ±0.3 (±.012)				
UNIT mm (in.)	SCALE 2/1	ANGLE 3rd.	TITLE SOP 40P SOCKET	
DRAWN	/	/	DWG NO. 652F0402211	
CHECKED	/	/		
APPROVED	/	/		

WELLS JAPAN LIMITED
ウエルズ・ジャパン株式会社

SOP 40P SOCKET

652F0402211

FOOTPRINT
FOOTPRINT AS VIEWED LOOKING DOWN
FROM TOP OF SOCKET